



An ISO 9001:2008 Company

AC CURRENT ISOLATED SENSOR TWO-WIRE / FOUR-WIRE TRANSDUCER

MODEL- TSCT / TFCT

FEATURES :

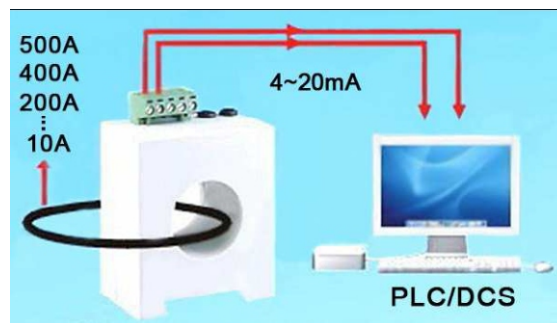
- Transform Input: AC 5~400A directly into DC 4~20mA, no need external CT.
- Suitable for application with high waveform distortion: (Frequency converter, Motor, SCR)
- High accuracy <math>< 0.5\%</math>
- High response time
- High stability, easy connection.



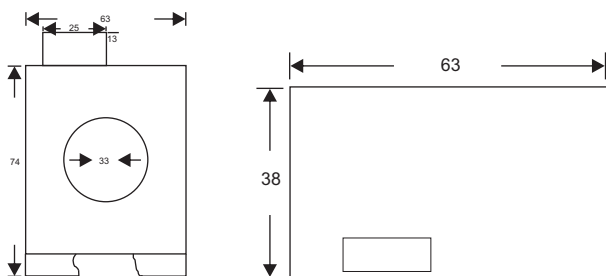
SPECIFICATIONS :

- **Output Signal :**
TSCT : DC4 ~ 20mA 2Wire (Loop Power)
TFCT : DC 4~20mA 4Wire
- **Temperature Coefficient :** $\leq 0.01\%$ FS/°C(100PPM)
- **Response Time :** ≤ 250 ms
- **Supply Voltage :** DC5 ~ 40V (2Wire System – TSCT)
- **Front Adjustments :** $\geq \pm 5\%$ (Zero and Span)
- **Input Impedance :** 760Ω (Supply DC 24V)
- **Operating Condition :** - 10°C ~ + 55°C 20 ~ 95% RH Non-Condensed
- **Storage Condition :** - 40°C ~ + 75°C 20 ~ 95% RH Non-Condensed
- **Isolation :** 2.6KV / Min (Input / Output / Case)
- **Temp. Coefficient:** $\leq 0.01\%$ FS / °C (100PPM)
- **Case Material :** ABS Plastic, Self-Extinguishing.
- **Insulation Resistance:** $\geq 100\Omega$ / Min with DC 500V
- **Outline Dimension :** 38*63*74*33mm (L*W*H*Φ)
- **Mounting :** DIN Rail
- Comply to UL 94 Class V-0
- **Stability :** $\leq 0.1\%$ / Year
- **Accuracy :** $\pm 0.5\%$ RO
- **Input Frequency :** 10 ~ 400Hz
- **Impulse :** 5KV (Insulated Cable)

Illustration:

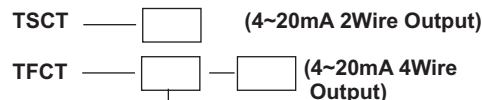
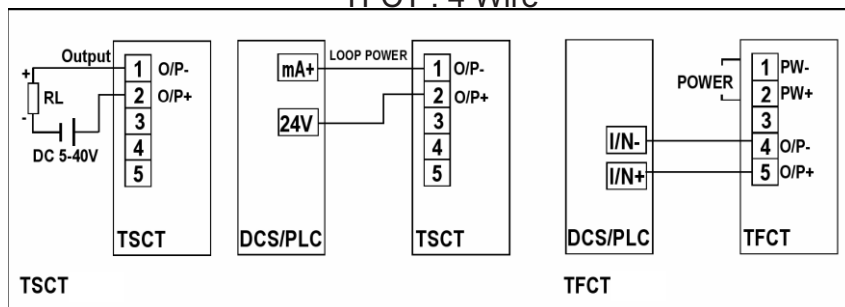


Outline Dimension : (Unit : mm)



WIRE CONNECTION : TSCT : 2Wire Loop Power

TFCT : 4 Wire



Input Current		Auxillary Supply	
1	0~5A (Coil)	A	AC 110V
2	0~10A	B	AC 220V
3	0~15A	C	DC 22-72V
4	0~20A	F	AC/DC 85~265V
5	0~30A		
6	0~40A		
7	0~50A		
8	0~75A		
9	0~100A		
A	0~150A		
B	0~200A		
C	0~250A		
D	0~300A		
E	0~400A		

All Specifications are subject to change without prior notice



An ISO 9001:2008 Company

G-17, Bharat Industrial Estate, T. J. Road, Sewree (W), Mumbai - 400 015. INDIA.
Sales Direct.: 022 -24156638, **Tel. :** 022-24124540, 24181649, **Fax :** 022 - 24149659
Email : kusam_meco@vsnl.net, **Website :** www.kusamelectrical.com